

## Standing Seam Clamp 387

The CK-FTS-387 clamp is designed especially for horizontal and vertical standing seam roof profiles.

It's extremely simple and fast to install the clamp by simply loose or tighten the single bolt on the top, only 50% or less time needed compare with current clamps.

### PRODUCT LINE

<b>Item</b>	<b>Product Name</b>
CK-FTS-387	CHIKO Tin Roof Clamp No.387

### TECHNICAL DATA

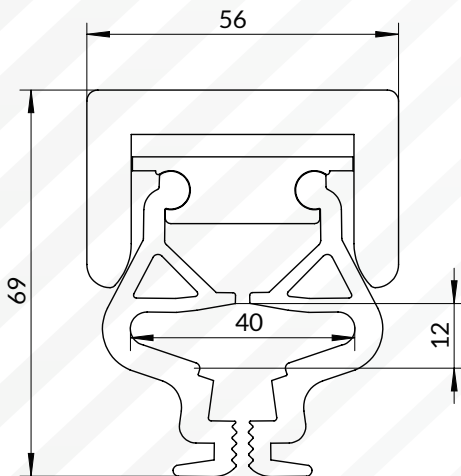
Main Material	: AL 6005-T5
Tighten torque	: 15N.m
Safe torque	: 18N.m

### ORDERING SPECIFICS

Standard Packaging	: 18PCS/BOX 72PCS/CTN
Dimensions	: 50x20x38CM
Weight	: 18KGS

### ADVANTAGES

- Pre-assembled
- Easy installation
- Highly waterproof
- High class anodized



### COMPONENT LIST

Material	QTY
#387 Clamps	01
SUS304 bolts M8*35	01
SUS304 Spring washer M8	01
SUS304 Flat washer M8	01

### WARRANTY



### INTERTEK LISTED

